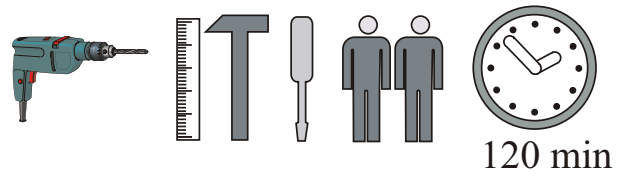
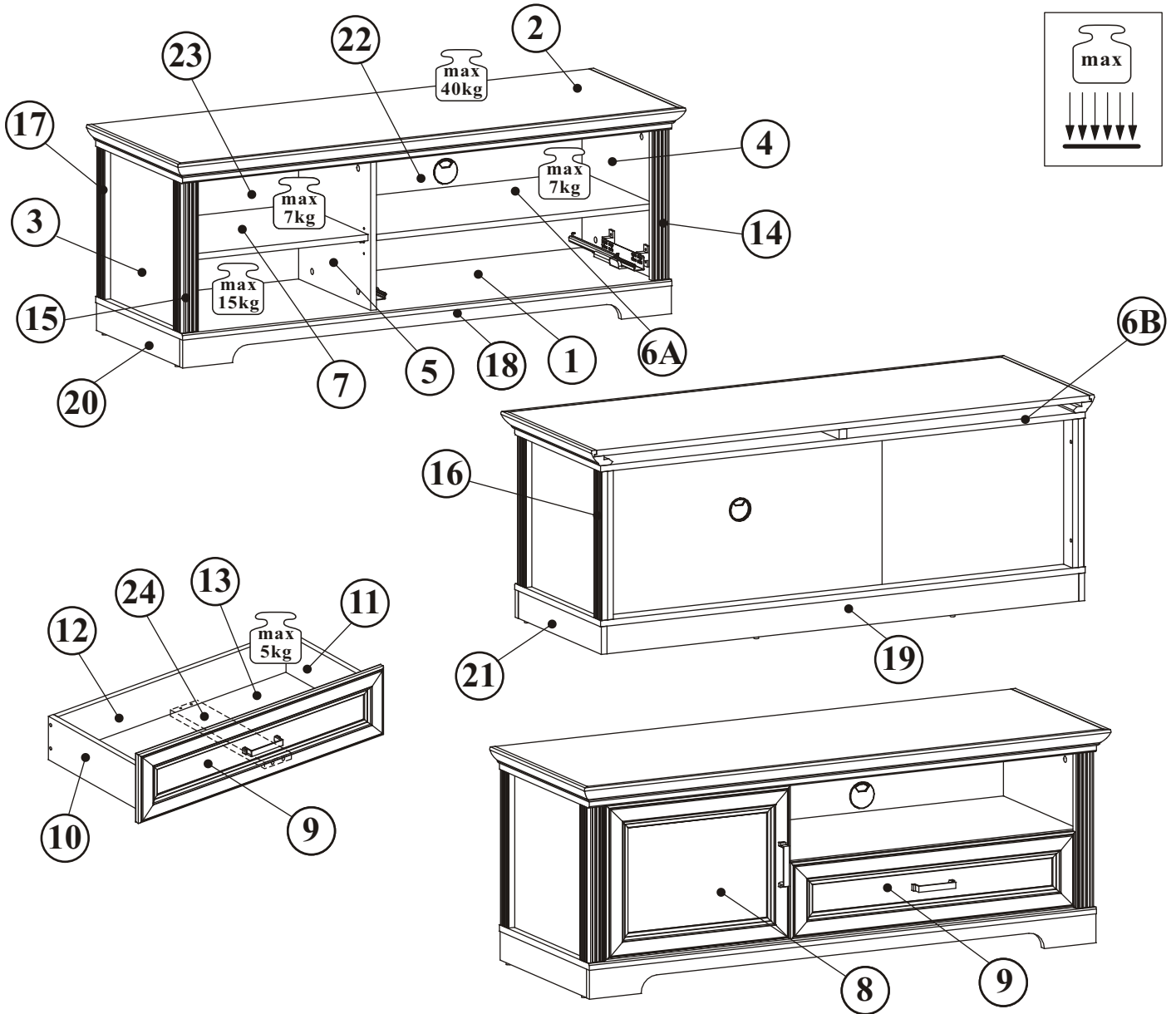
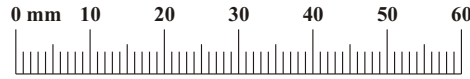


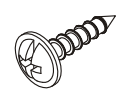
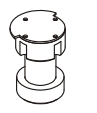
# JASMIN 10G9\_31



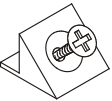

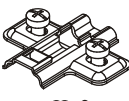

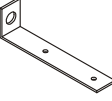
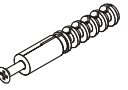
NO	Dim.		Col.-No	Qty
1	1376	482	1	1
2	1429	508	2	1
3	386	455	2	1
4	386	455	2	1
5	386	401	2	1
6A	781	401	1	1
6B	1376	482	2	1
7	507	386	1	1
8	380	496	1	1
9	770	188	1	1
10	350	120	1	1
11	350	120	1	1

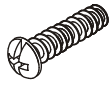
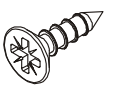
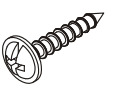

NO	Dim.		Col.-No	Qty
12	716	106	1	1
13	354	728	1	1
14	386	49	1	1
15	386	49	1	1
16	386	43	1	1
17	386	43	1	1
18	1374	72	1	1
19	1340	72	1	1
20	465	72	1	1
21	465	72	1	1
22	795	398	1	1
23	521	398	1	1
24	349	80	1	1




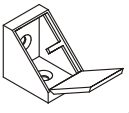
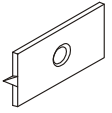



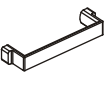



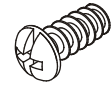
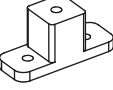
UP9		I9	
x4	UPØ3,5x16	x1	H=60 mm.

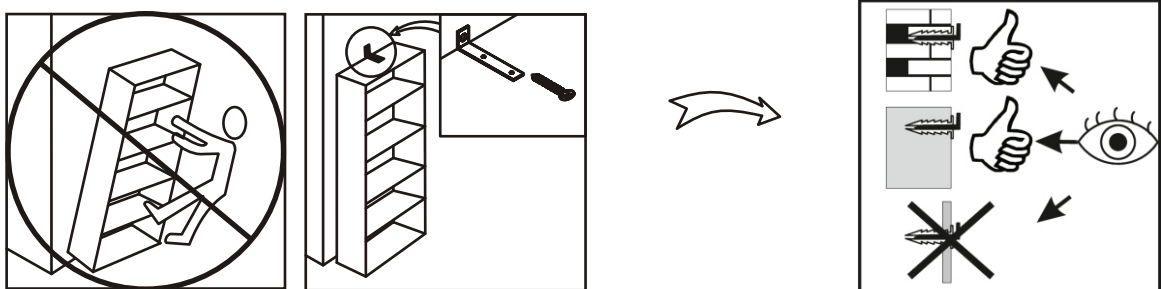
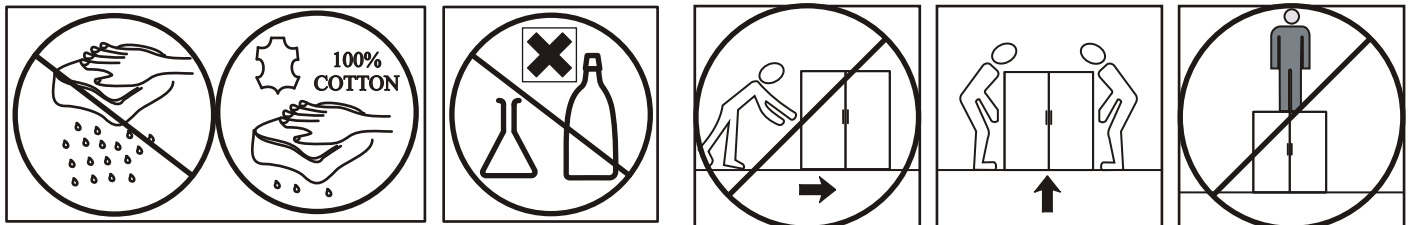
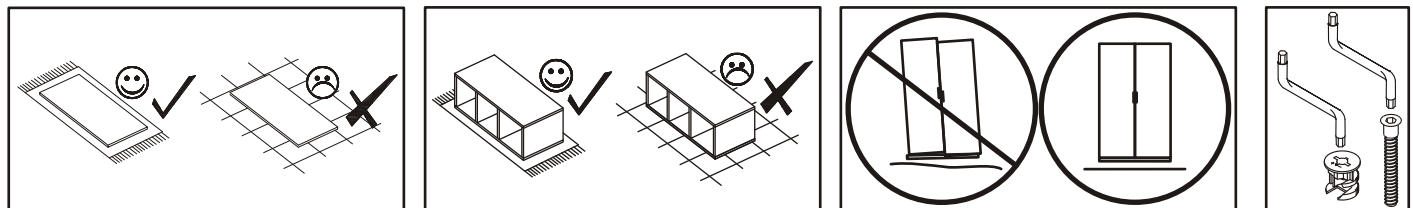
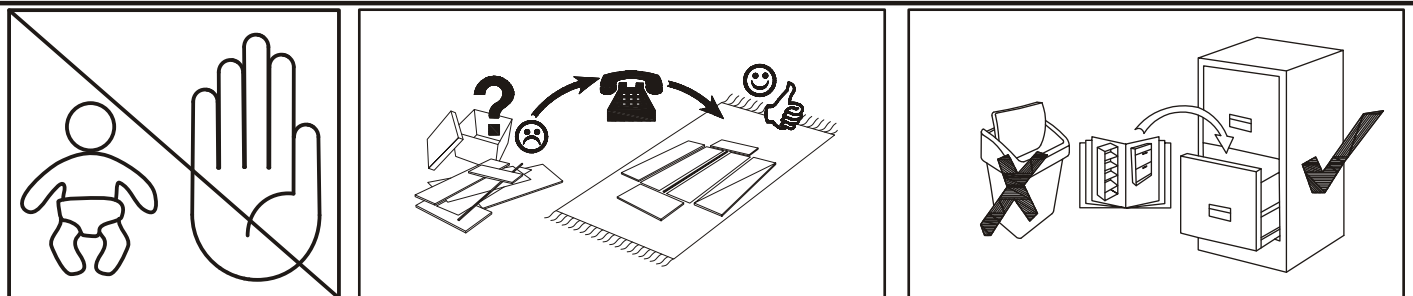
A1		B4		B5		G5		G7		G2	
x36	ø8x36	x32		x32	ø15x12	x32		x4		x1	

S1		E17		E13		UP6		L1		KR1	
x14		x2	H=16	x2	H=2	x2	UPØ4x30	x2		x2	

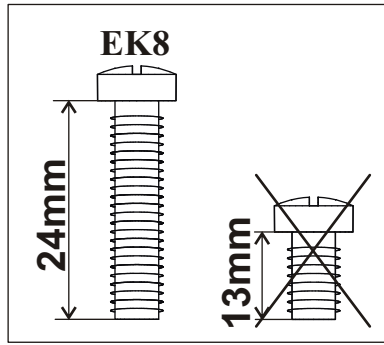
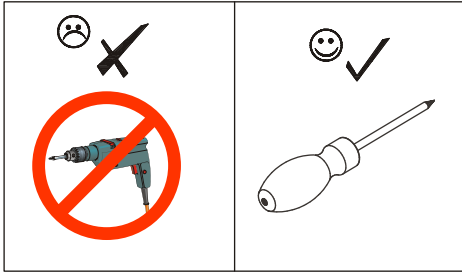
EK8		D10		UP13		D20		QU		I2	
x4	EKØ6,3x24	x14	USØ3,5x13	x9	UPØ3x16	x4	ESØ6,3x9,5	x1	L-350	x6	


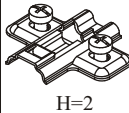


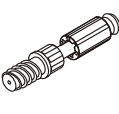
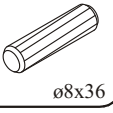
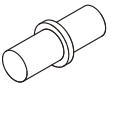

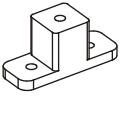
B11		B14		G4		KM1		G16		E0	
x4	Ø7x50	x16	Ø7x30	x20		x3		x3		x2	H=11

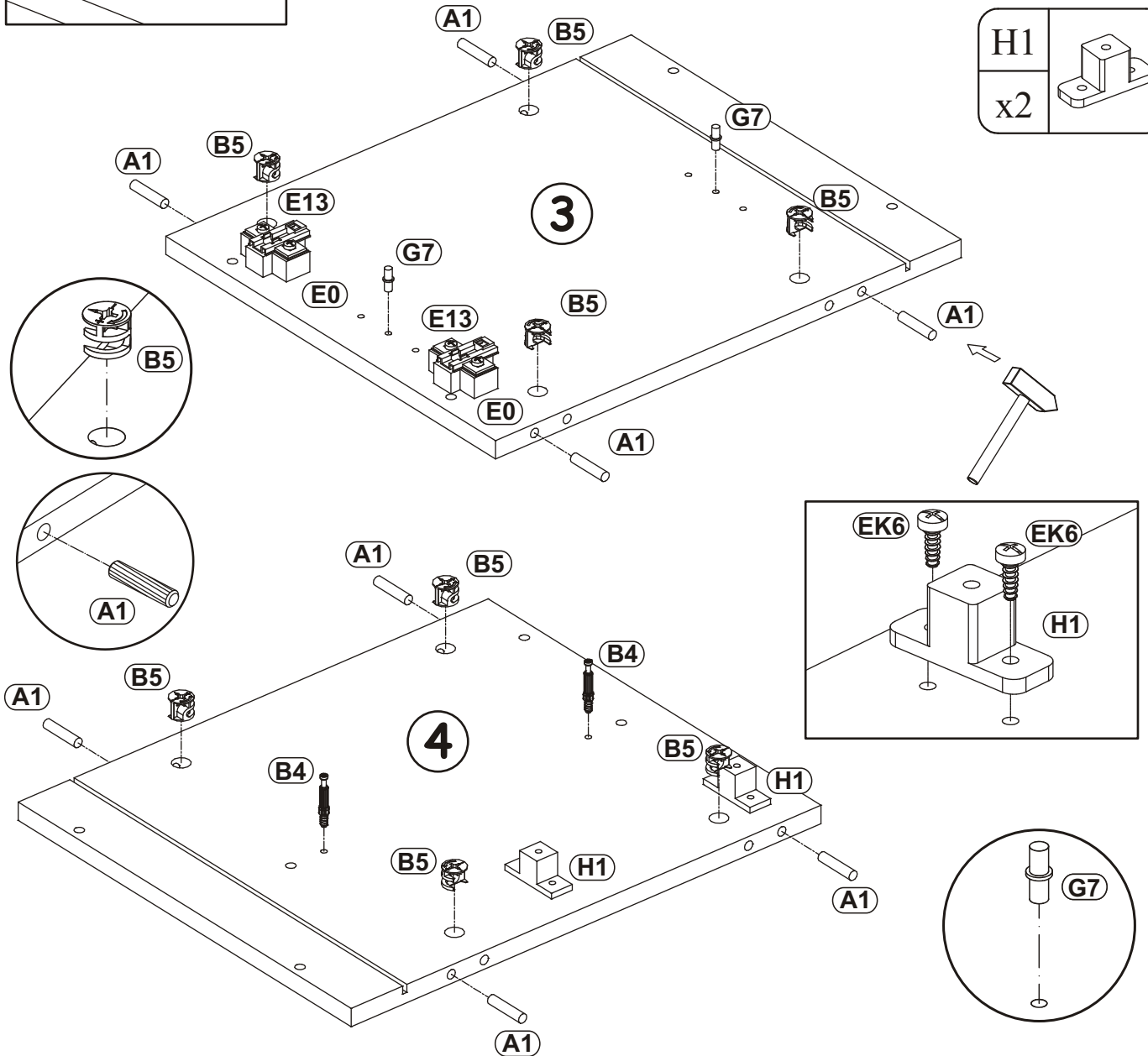
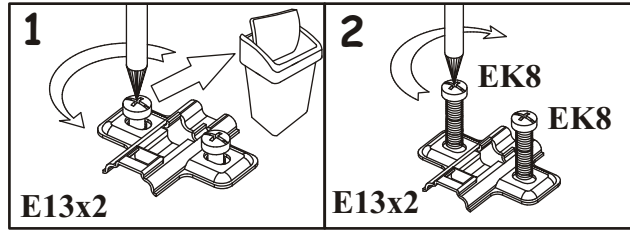
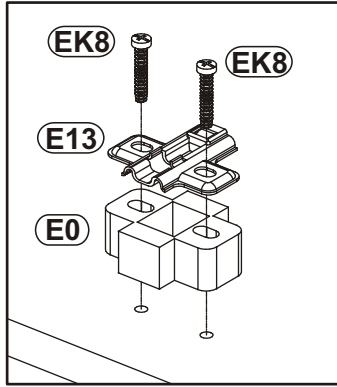
C19		D16		D4		G18		EK6		H1	
x2		x2	M4x16	x2	M4x30	x1	Ø60	x4	EKØ6,3x13	x2	



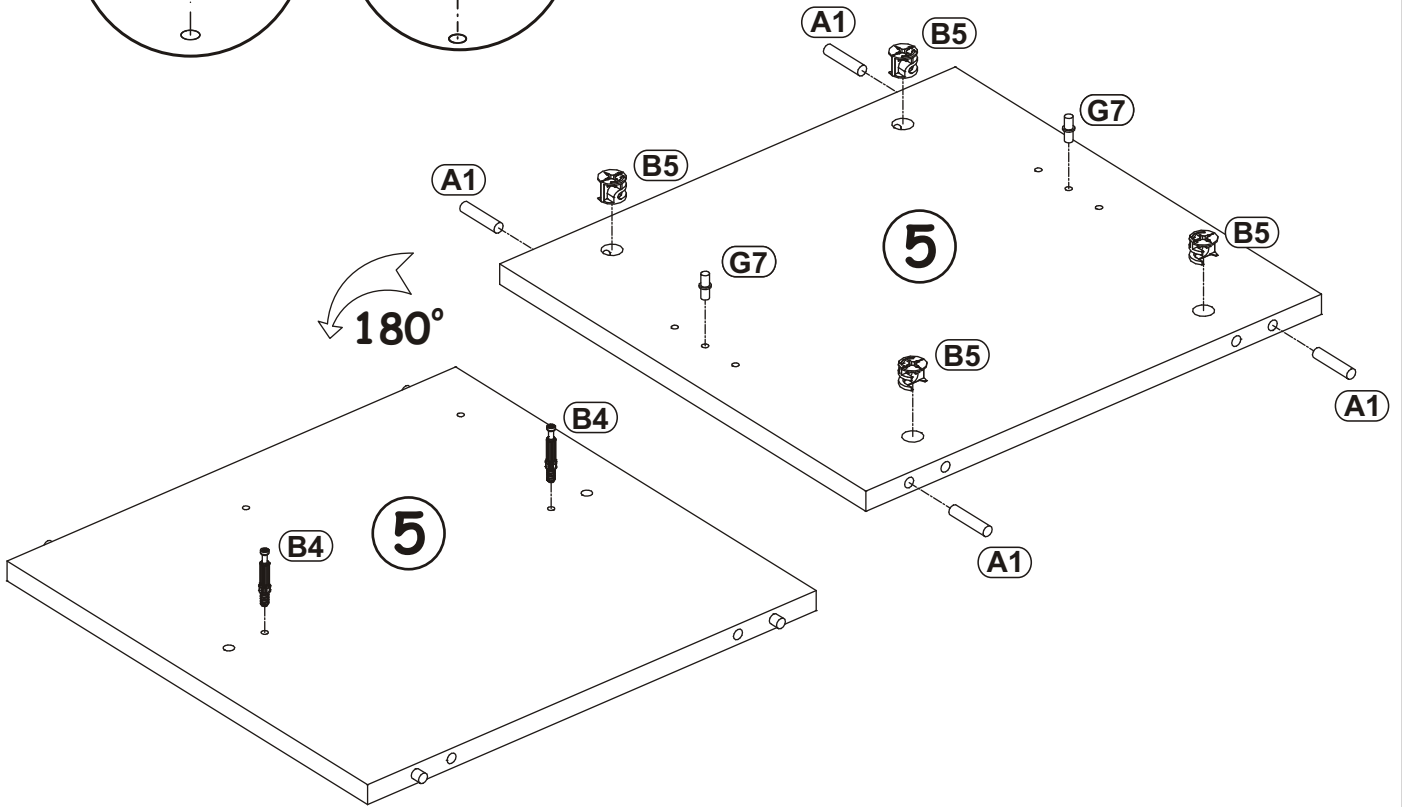
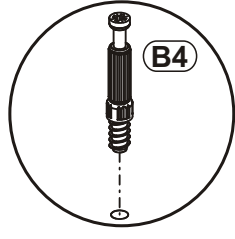
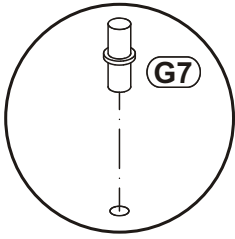
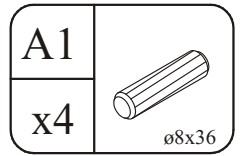
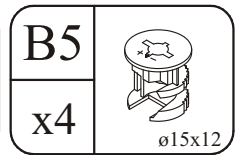
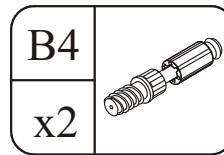
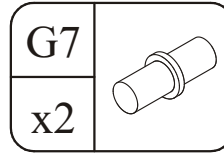
1



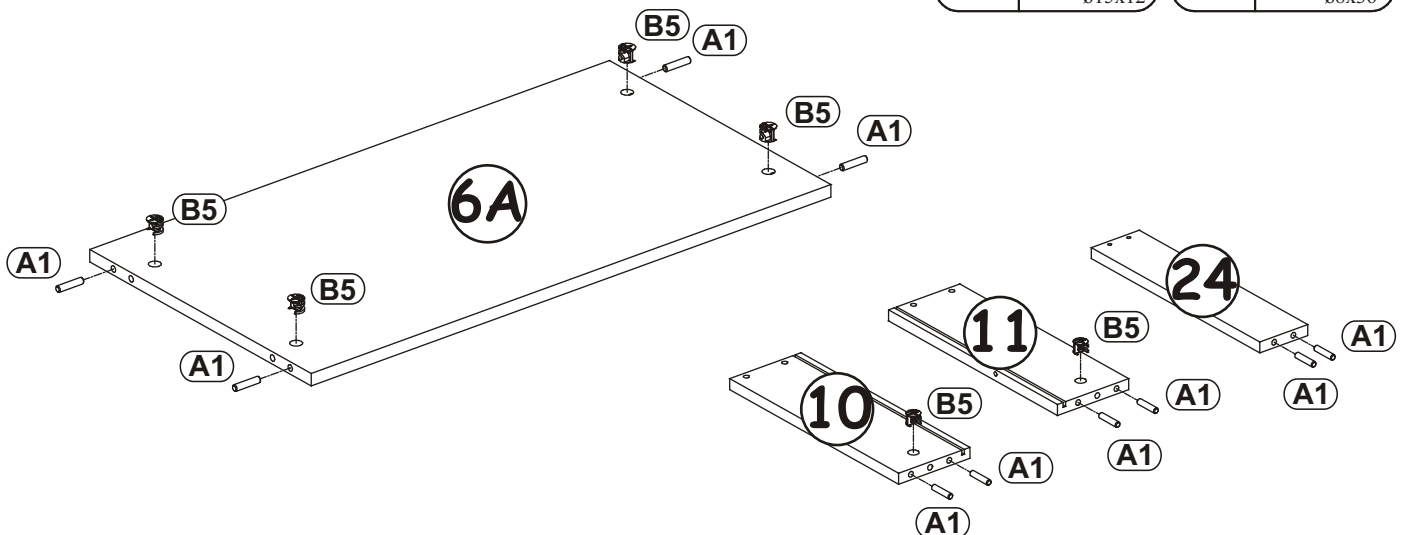
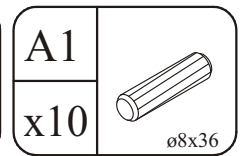
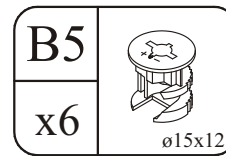
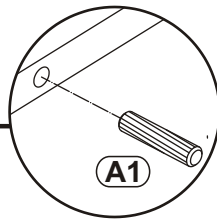
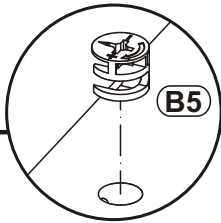
E0 x2	 H=11	E13 x2	 H=2
B5 x8	 ø15x12	EK8 x4	 EKØ6,3x24
B4 x2		A1 x8	 ø8x36
G7 x2		EK6 x4	 EKØ6,3x13
H1 x2			



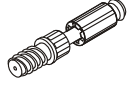
2

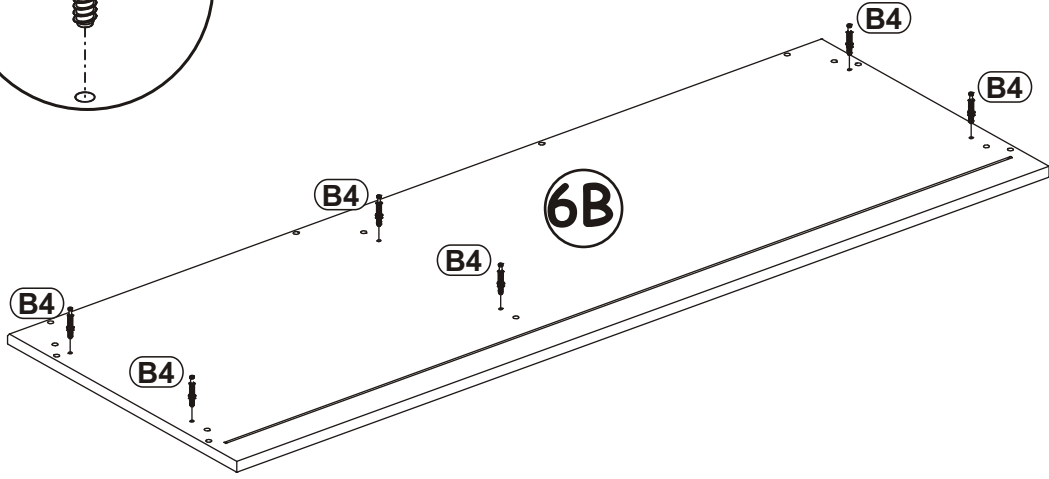
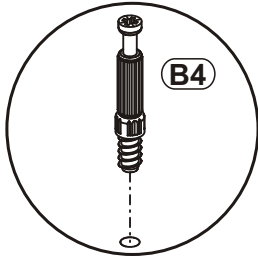


3

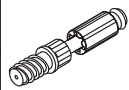


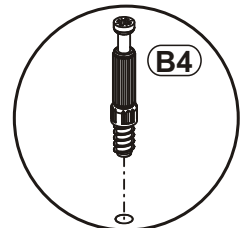
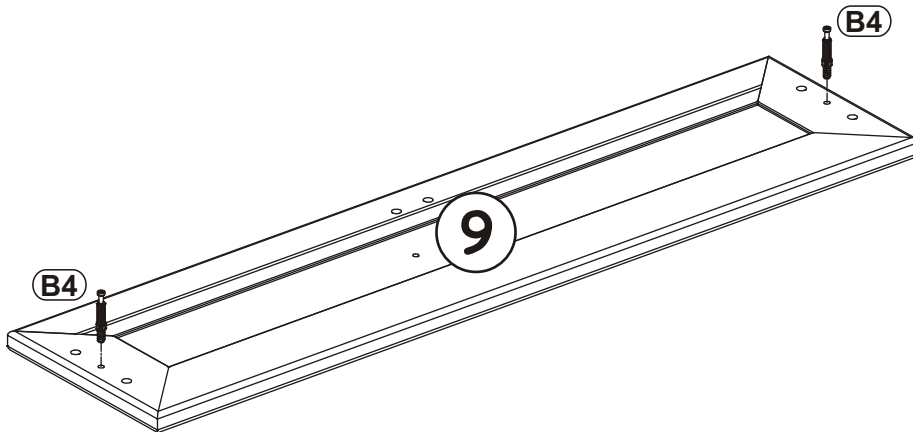
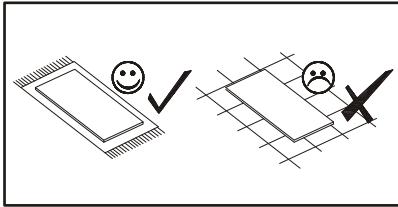
4

B4	
x6	

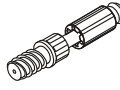

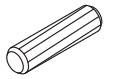


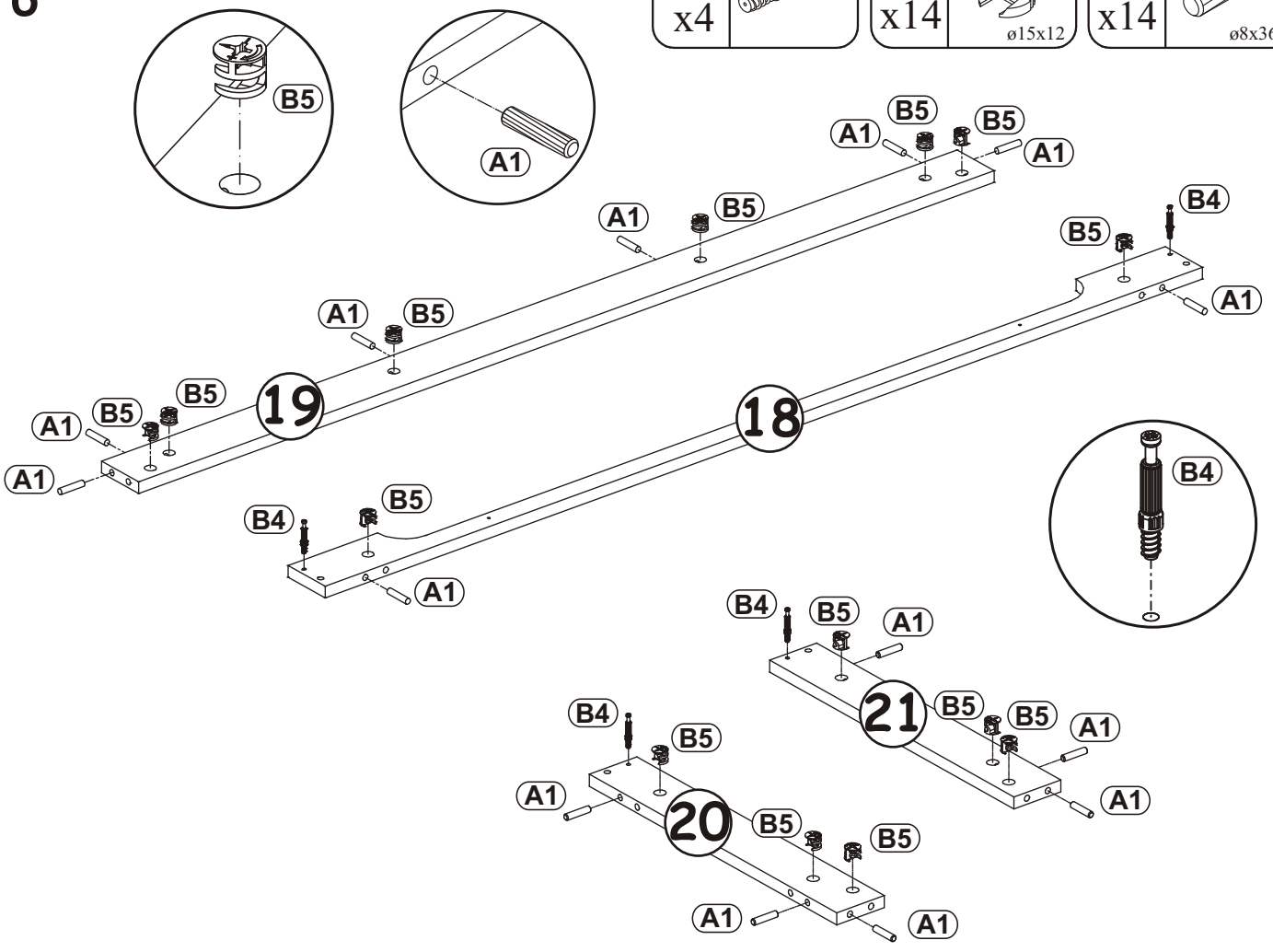
5

B4	
x2	

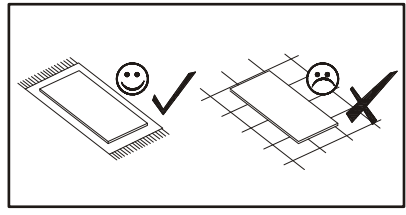




6

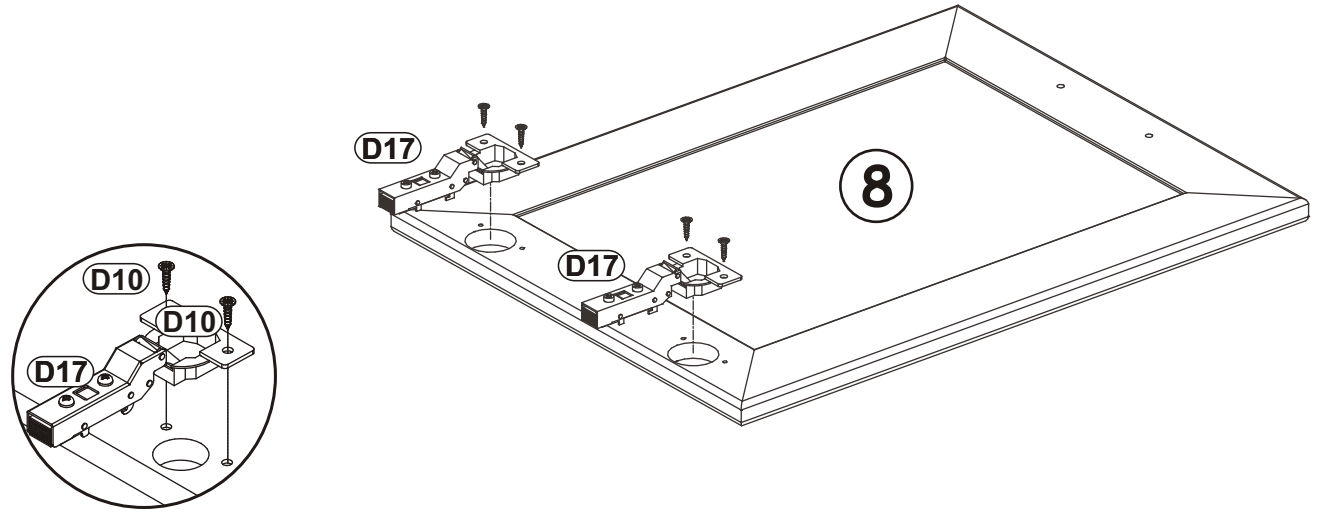
B4		B5		A1	
x4		x14	ø15x12	x14	ø8x36



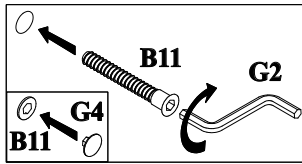
7



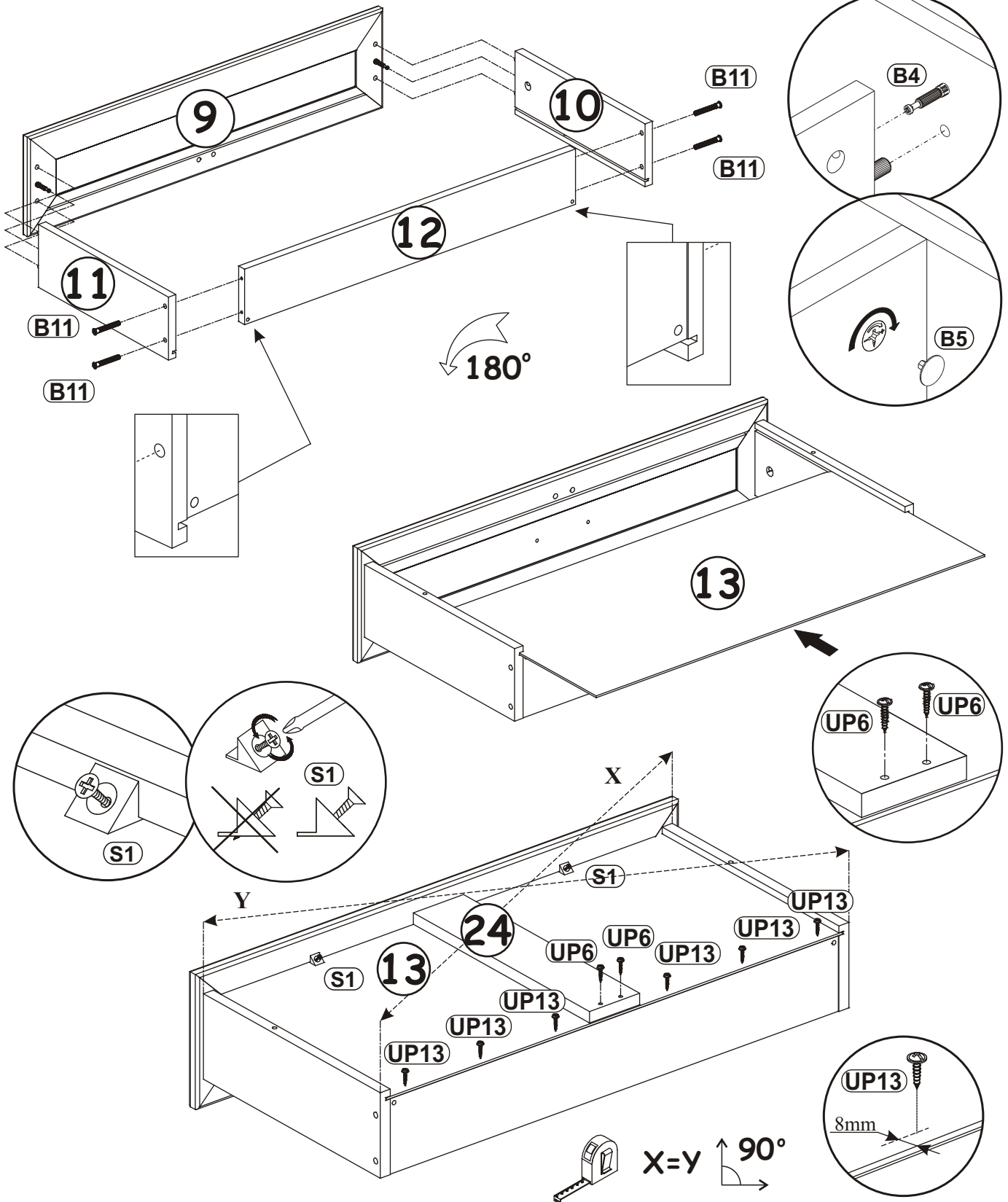
D10		E17	
x4	USØ3,5x13	x2	H=16



8

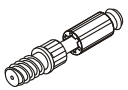


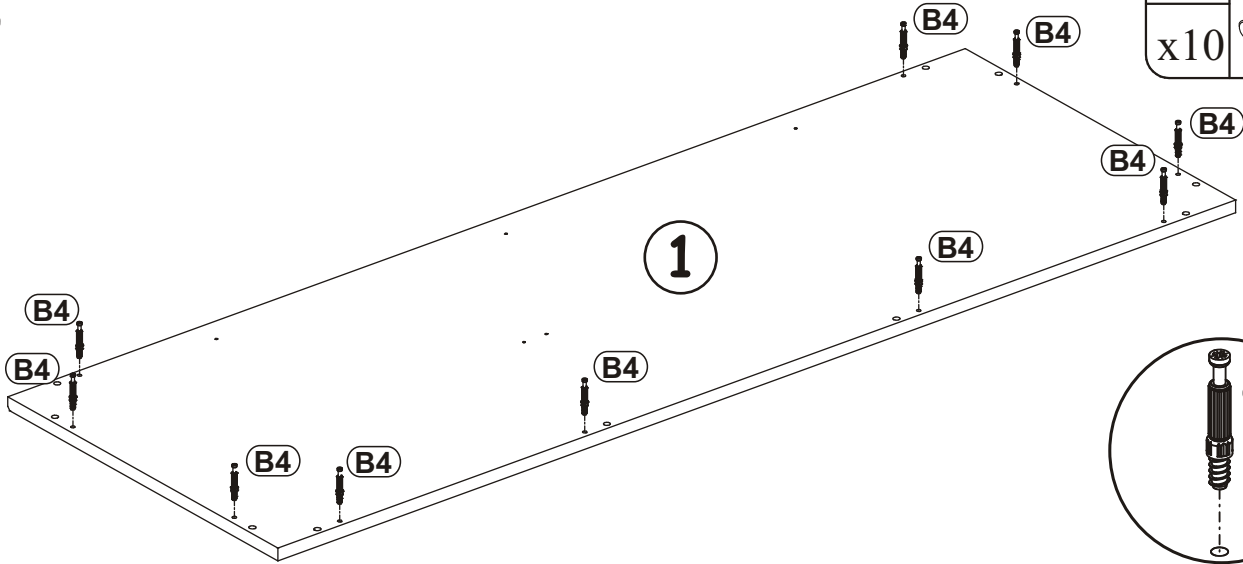
G5		B11		G4	
x2		x4	Ø7x50	x4	
UP13		S1		UP6	
x6	UPØ3x16	x2		x2	UPØ4x30






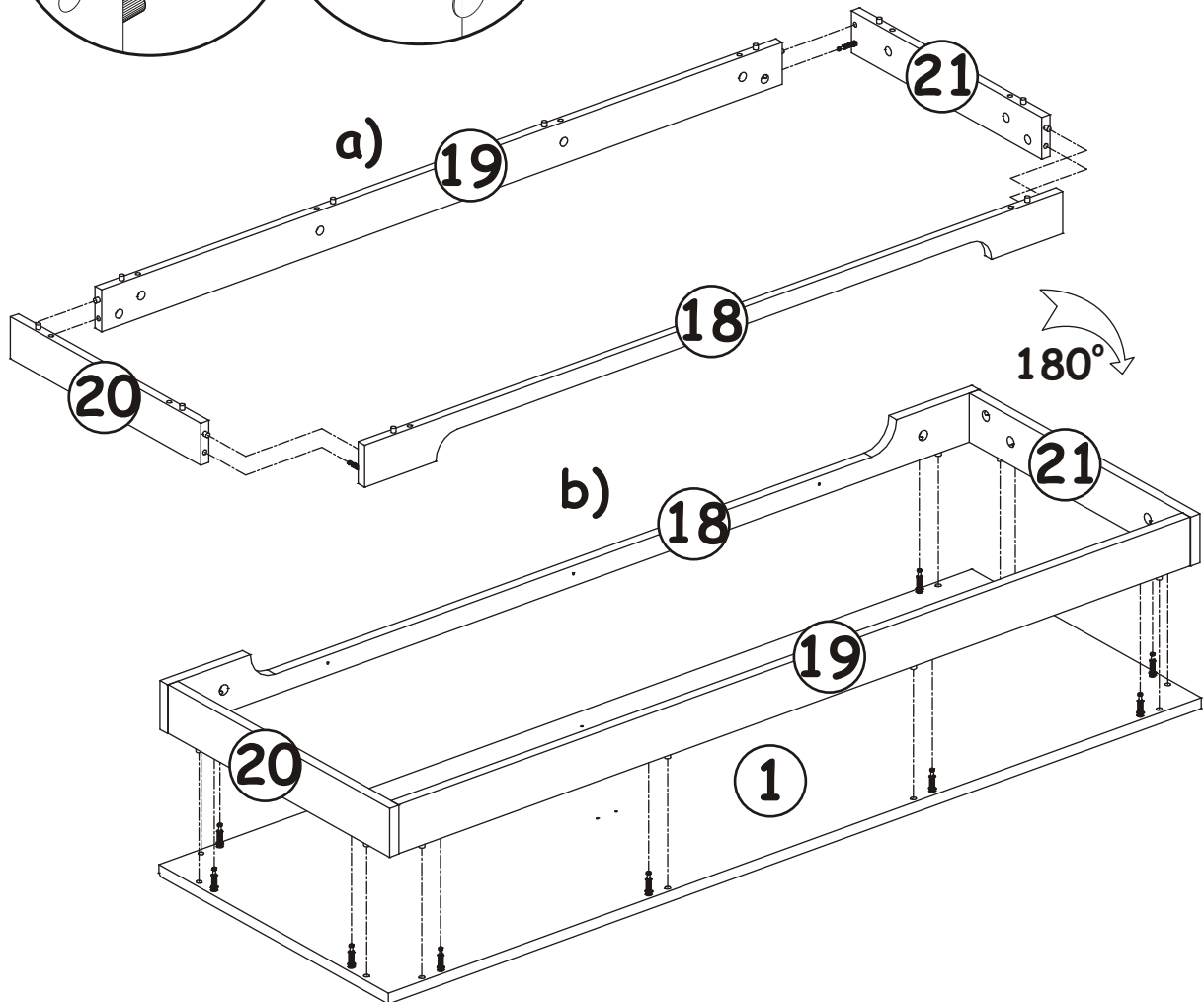
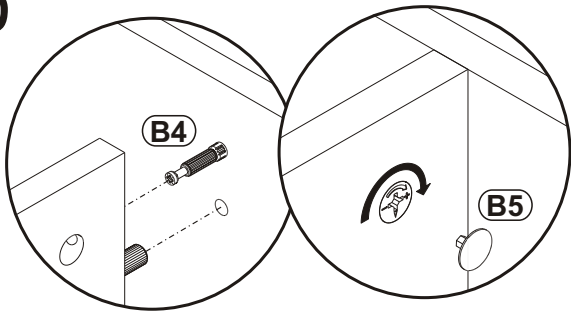
9

B4	
x10	



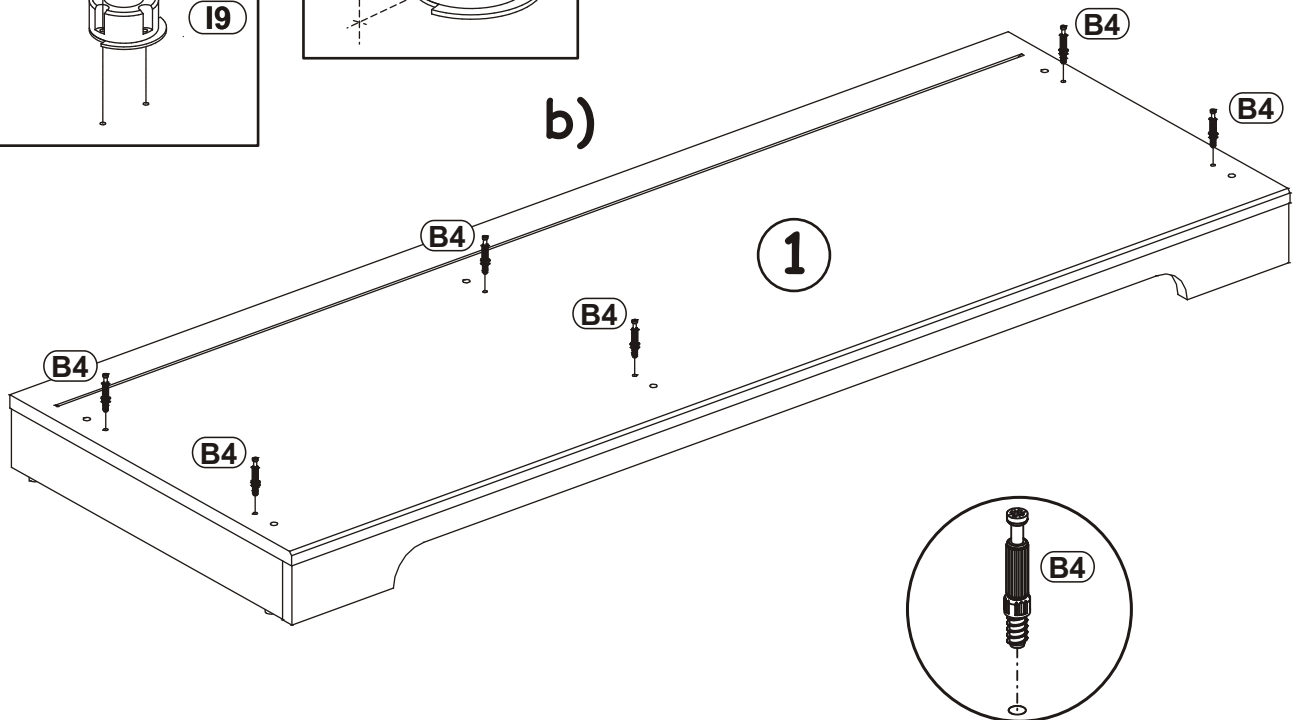
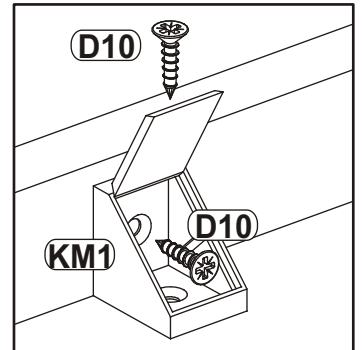
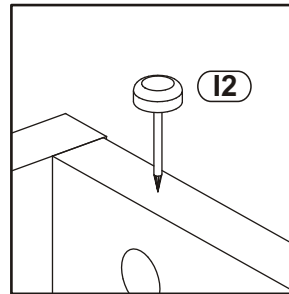
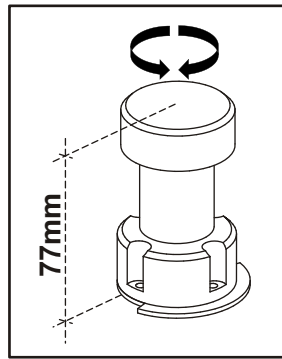
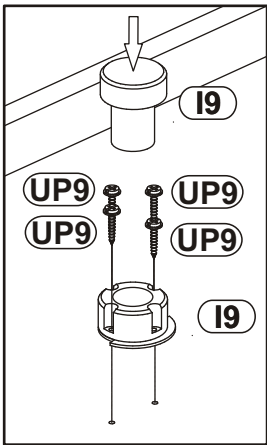
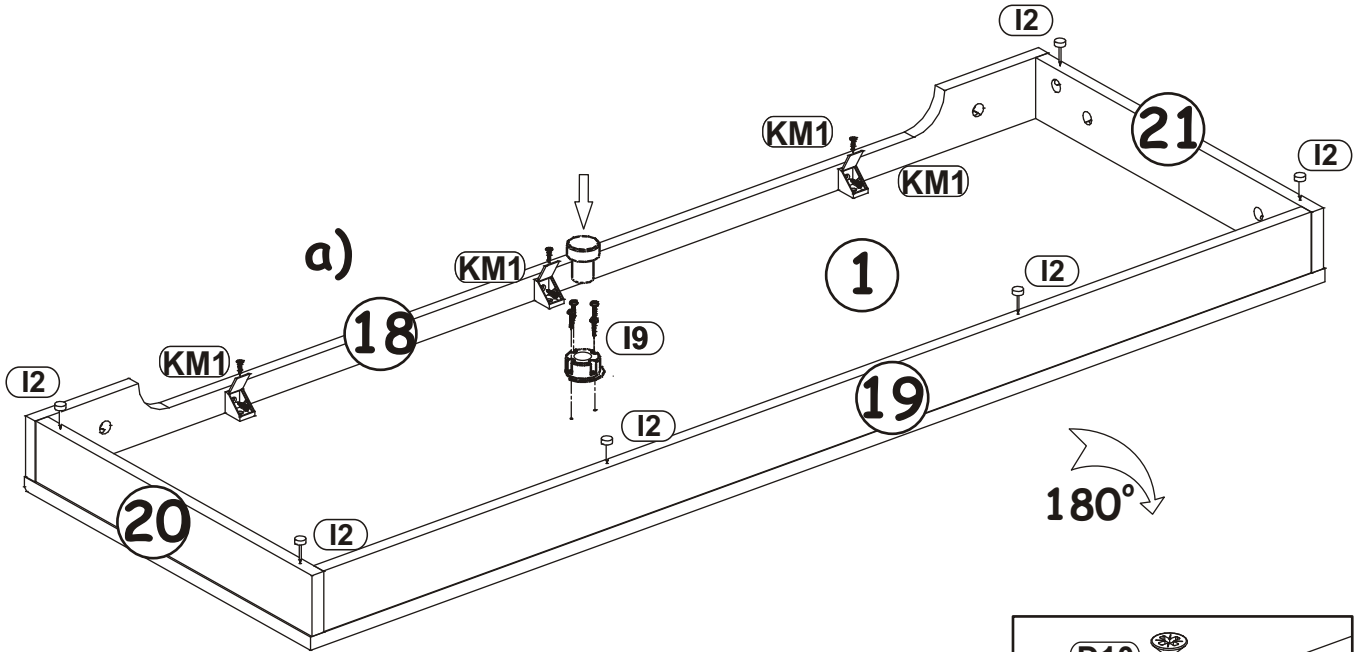
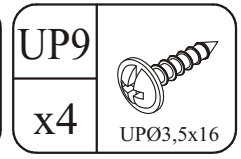
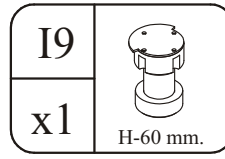
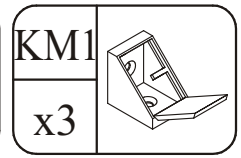
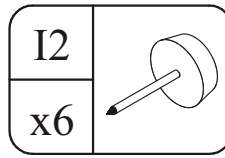
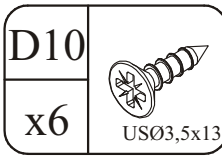
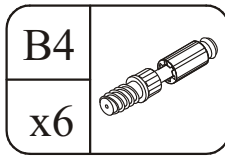
10

G5	
x14	

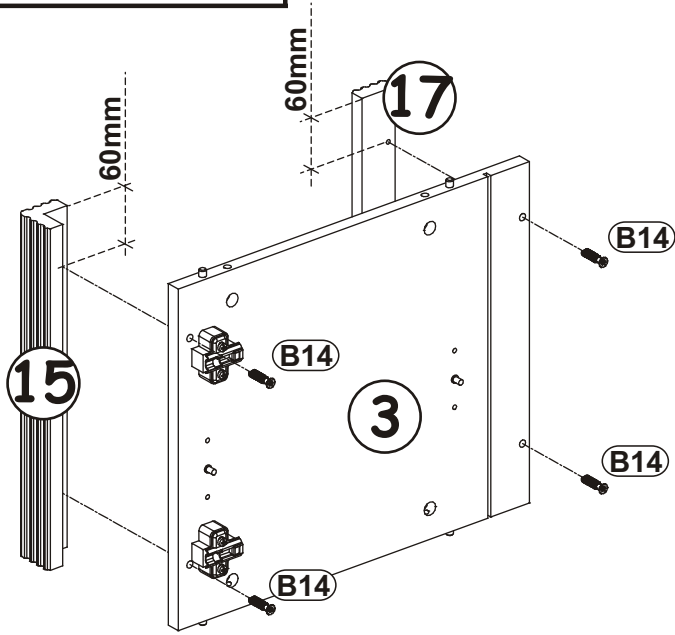






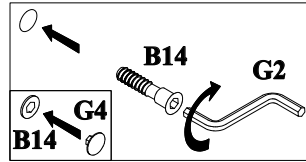
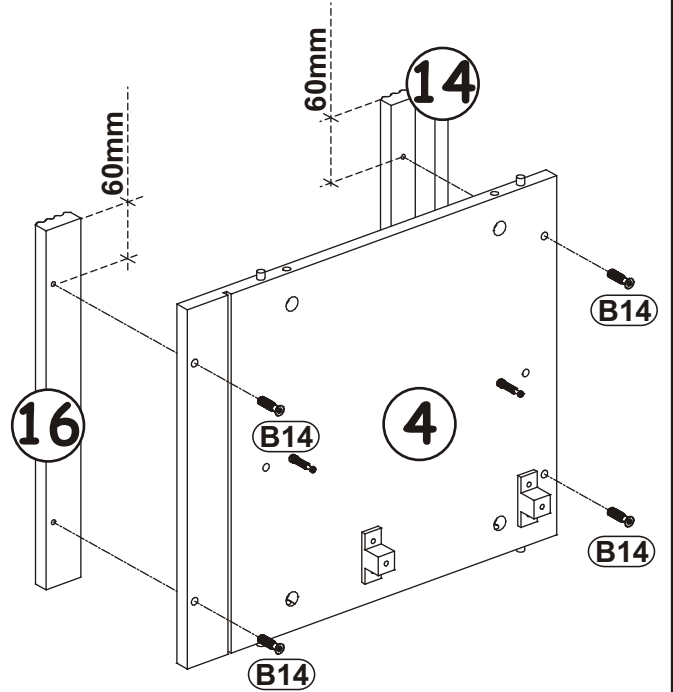
11



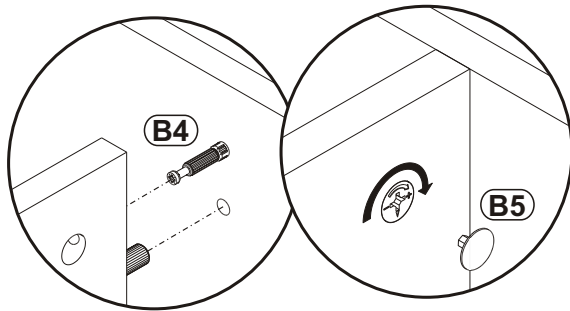
12




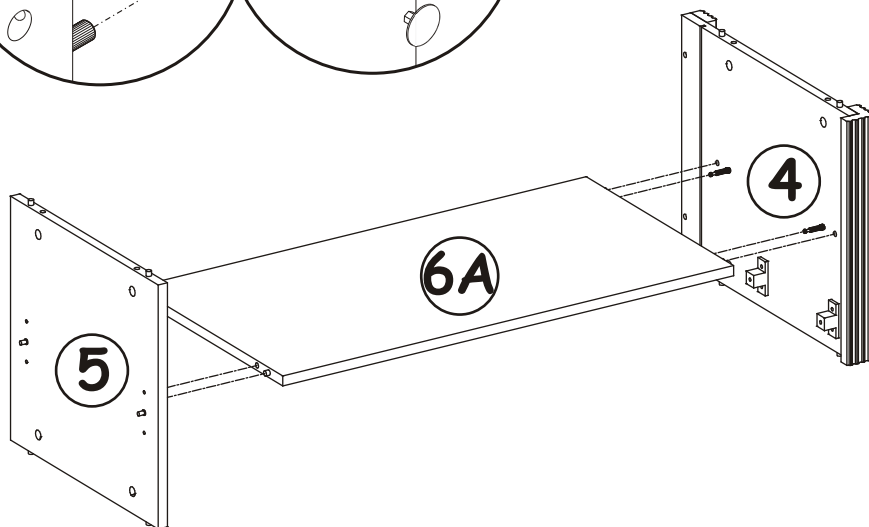
G4		B14	
x8		x8	Ø7x30



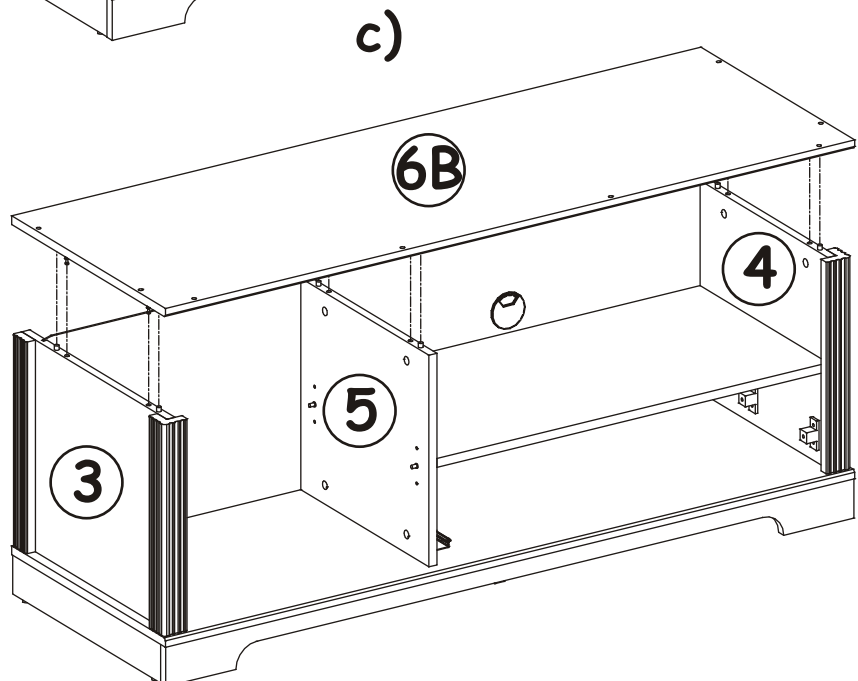
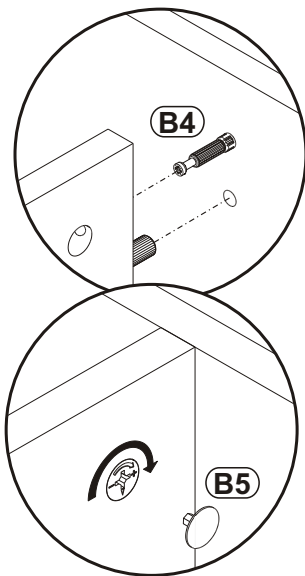
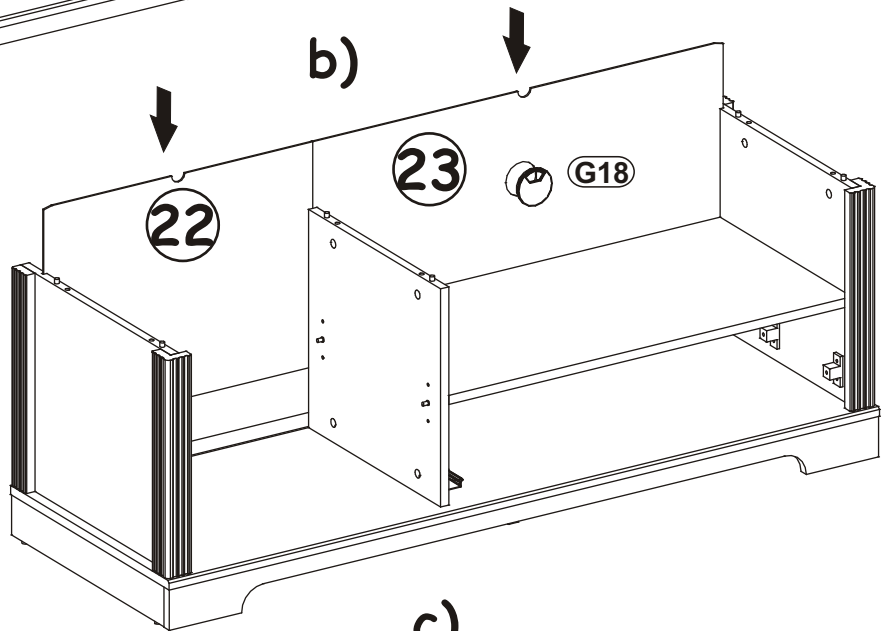
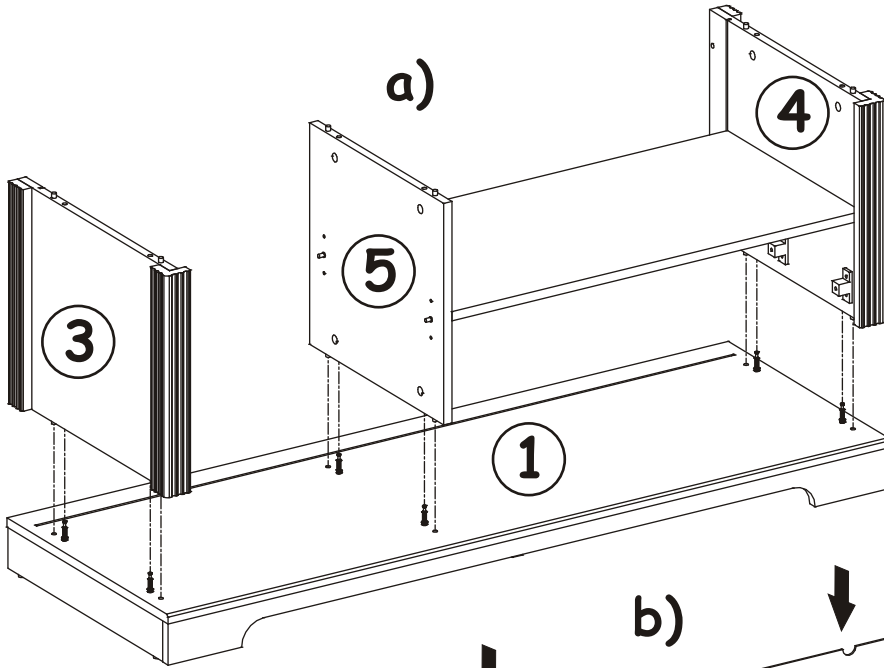
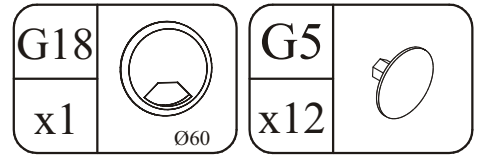
13



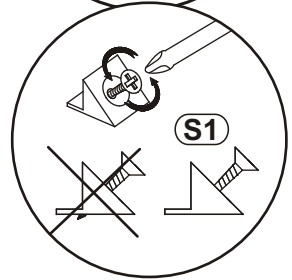
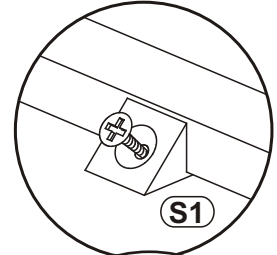
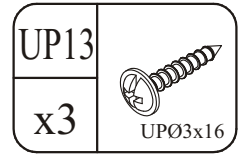
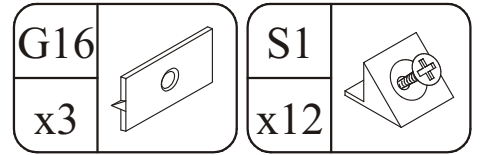
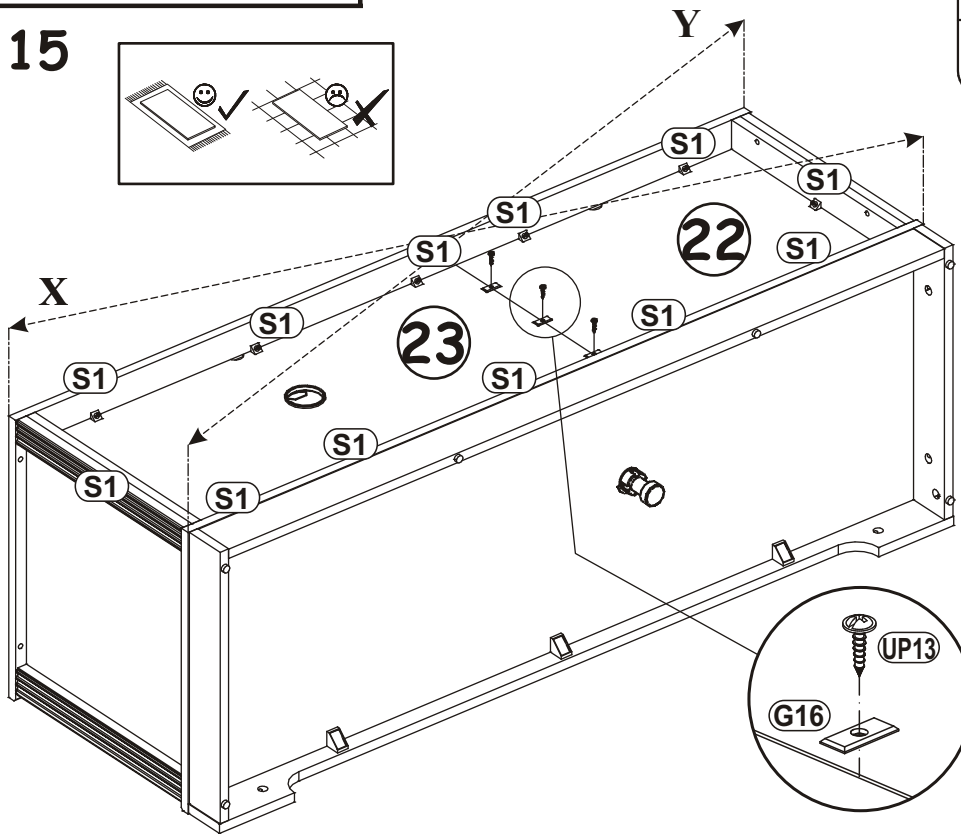
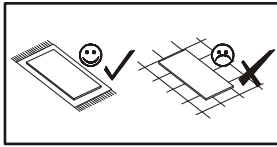
G5	
x4	



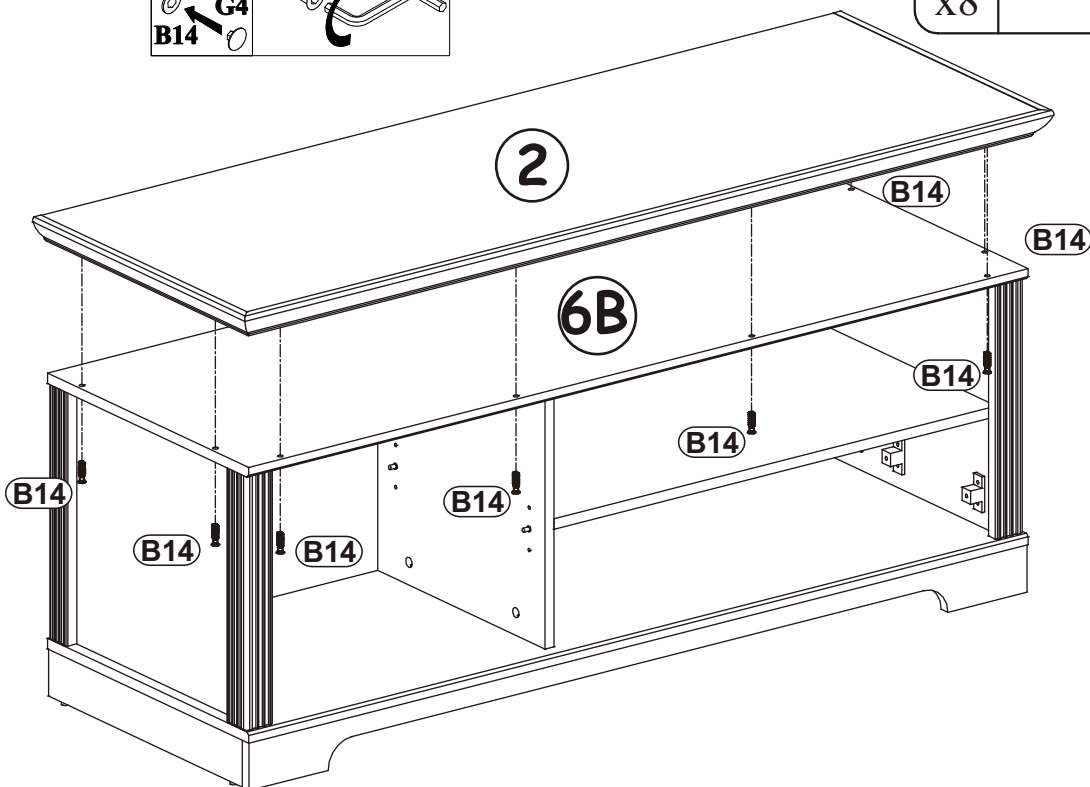
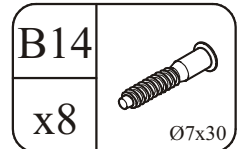
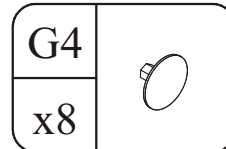
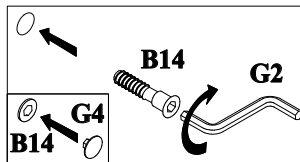
14


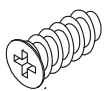
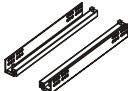


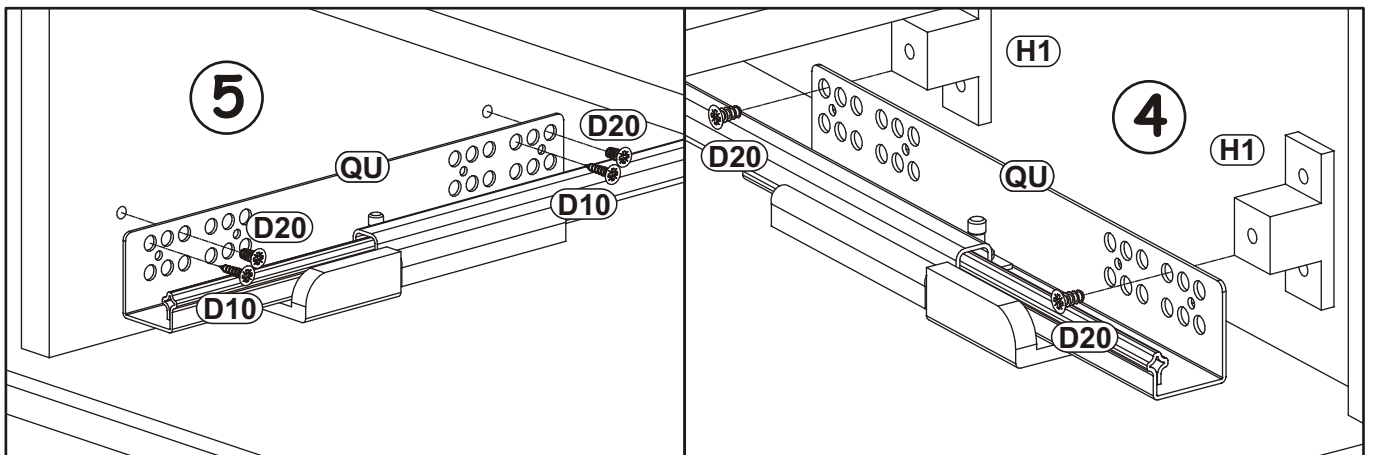
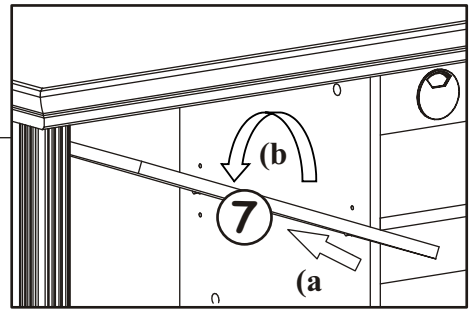
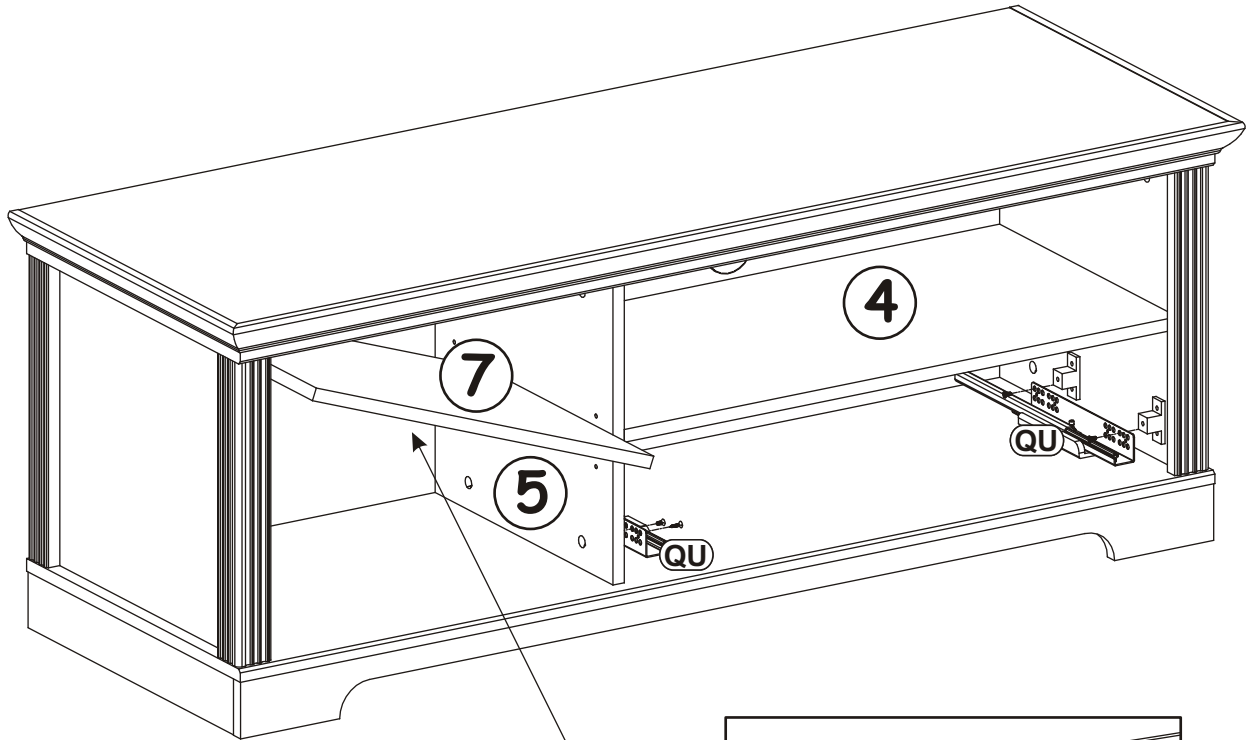
15



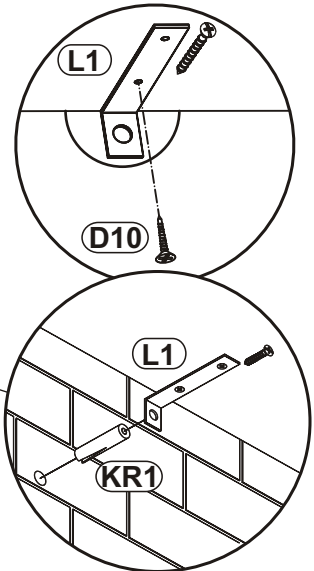
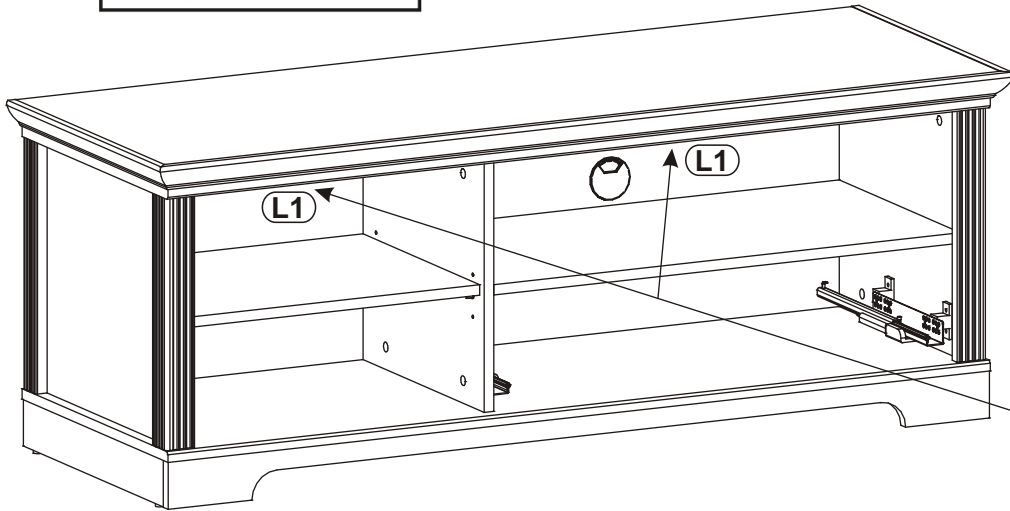
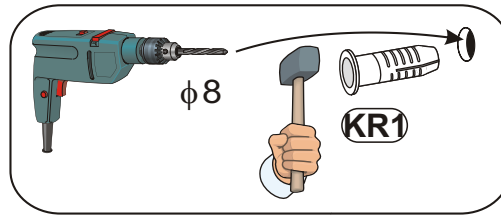
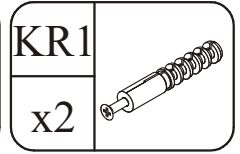
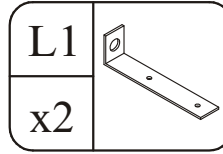
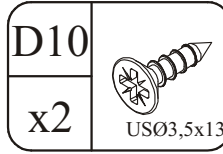
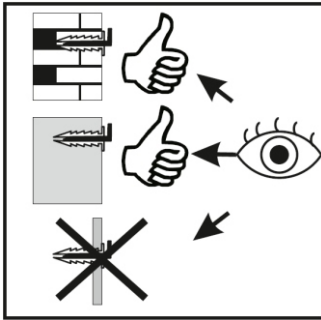
16



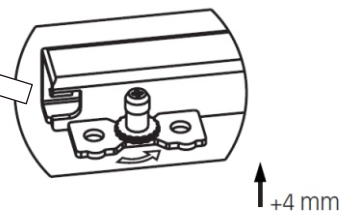
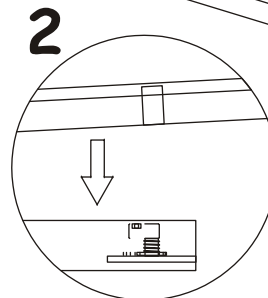
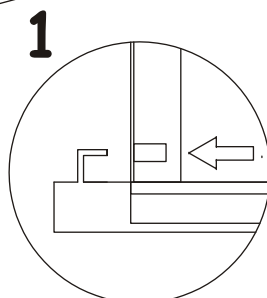
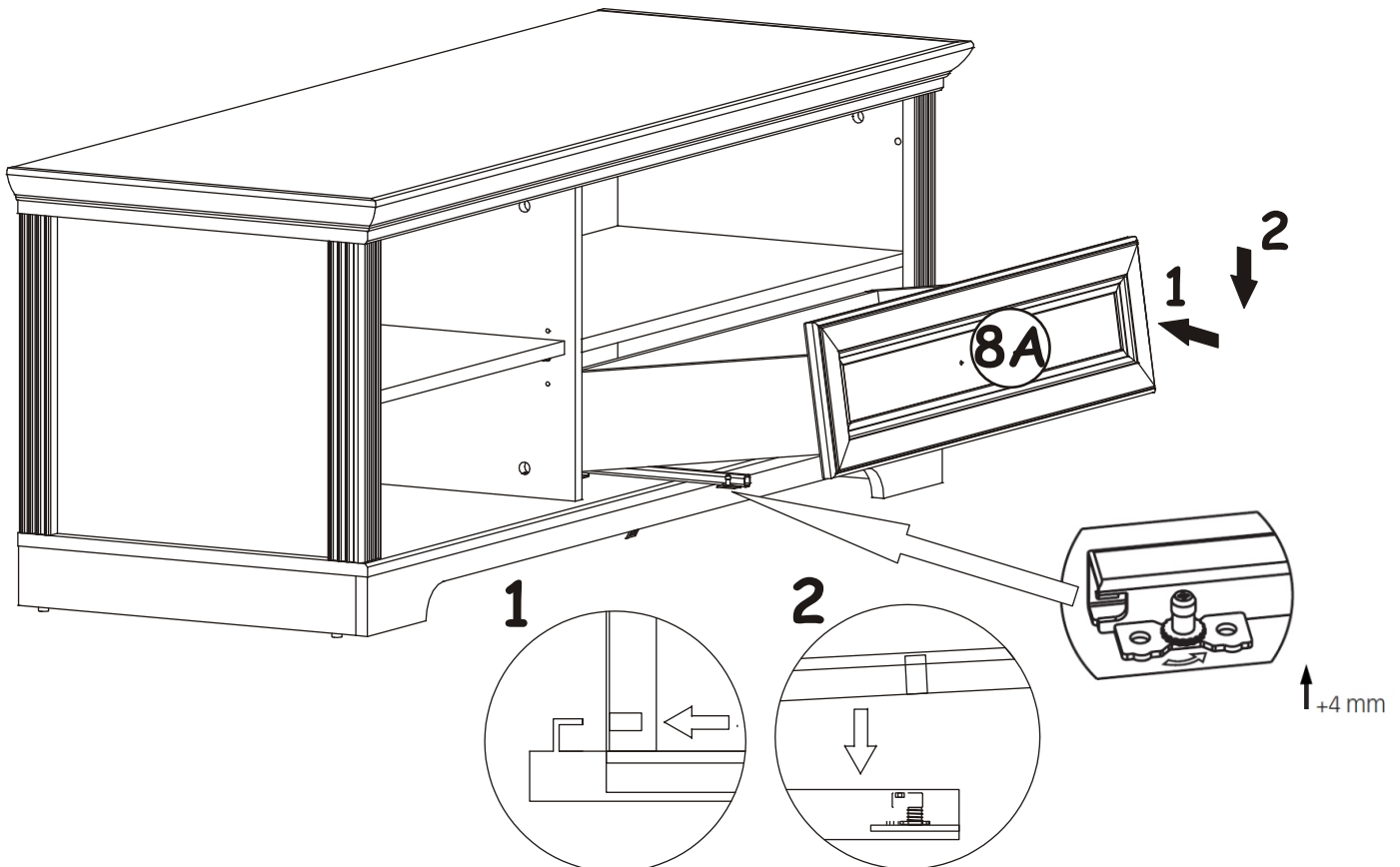
D10		D20		QU	
x2	USØ3,5x13	x4	ESØ6,3x9,5	x1	L-350

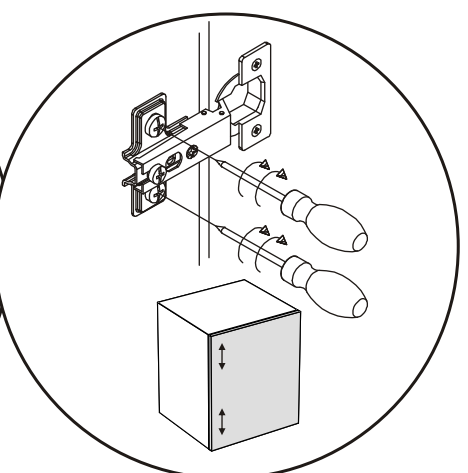
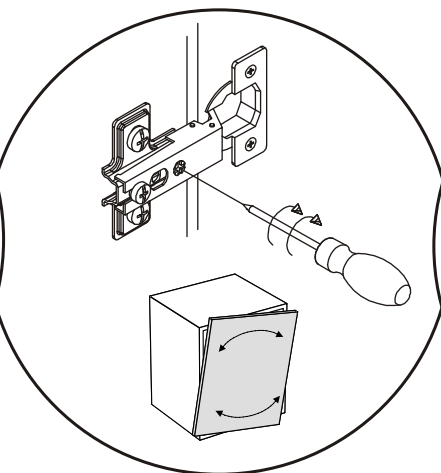
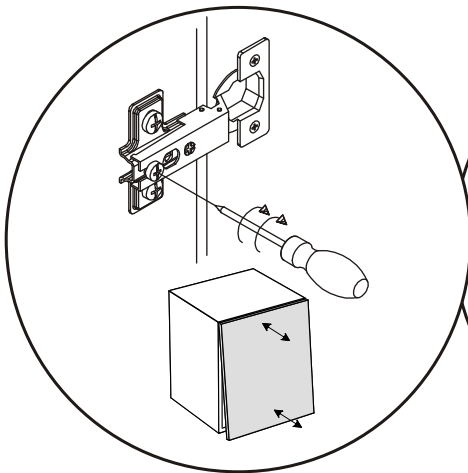
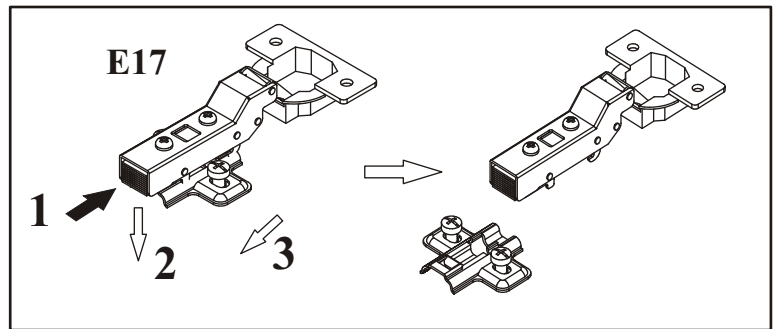
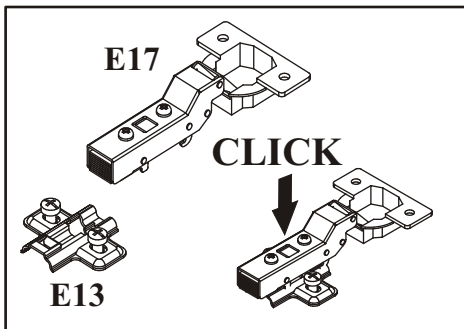
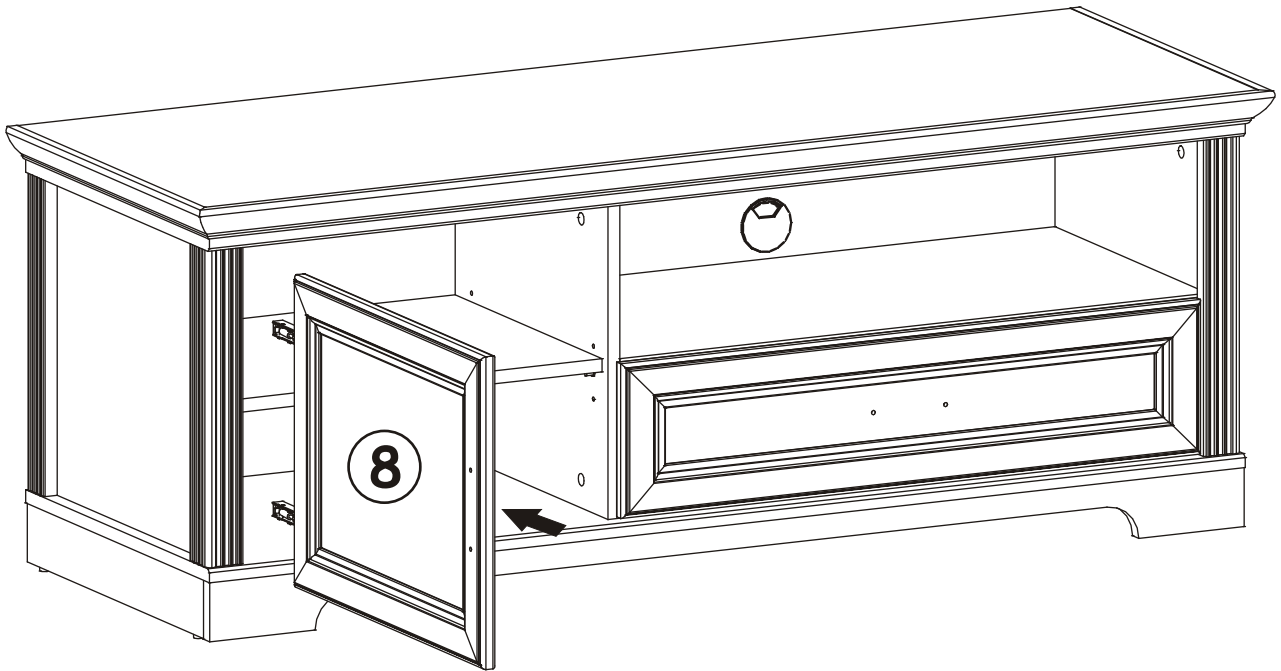


18



19







21

